



AiM Infotech

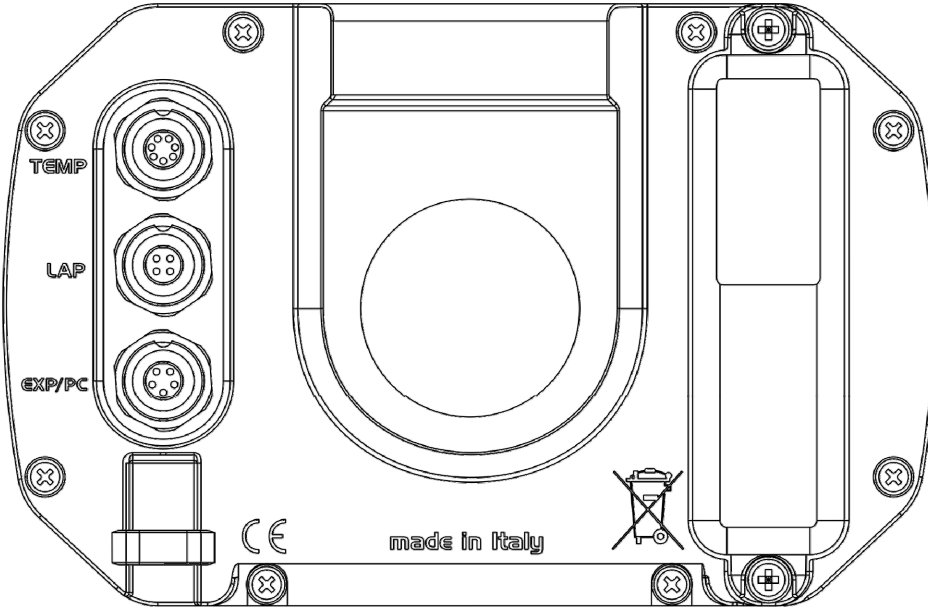
MyChron5-2T pinout




Release 1.00




| | | | | |
|-------------------|---------------------------|-------------|-------------------|---------------------|
| N. rev. / Rev. N. | Descrizione / Description | Data / Date | Firma / Signature | Contr. da / Ckd. by |
|-------------------|---------------------------|-------------|-------------------|---------------------|

MyChron5 - 2T pinout



| TEMP 3 pins Binder 712 female connector (external view) | LAP 4 pins Binder 712 female connector (external view) | EXP/PC 5 pins Binder 712 female connector (external view) |
|---|---|--|
|  |  |  |
| 1 - Thermocouple 1 2 - GND 3 - Thermocouple 2 4 - GND 5 - Thermoresistor 1 6 - GND 7 - Thermoresistor 2 | 1 - Magnetic Lap 2 - GND 3 - +Vbattery 4 - Optical Lap | 1 - CAN+ Exp 2 - GND 3 - +Vbout CAN 4 - CAN- Exp 5 - +Vbext CAN |

| | | | | | |
|---|---------------------|--|-----------------------|---------------------------------|---------------|
| Rif. / Ref. | Q.tà/Q.ty | Material / Material | N. articolo / Item N. | | |
| Progettato da / Designed by | Contr. da / Ckd. by | Approvato da / Approved by | Nome file / File name | Data / Date | Scala / Scale |
|  | | Titolo / Title Pinout MyChron5 | | | |
| | | N. disegno / Drawing N. | Rev. / Rev. | Foglio / Sheet 1 of 1 | |